

SAF INTEGRAL AIR DISC BRAKE

AXLE/BRAKE SYSTEM WITH P89 WHEEL END PACKAGE



\$2,995.⁰⁰

FET Included

For Tri-Axles Contact Your Nearest Location



PUT THE BRAKES ON TRAILER MAINTENANCE

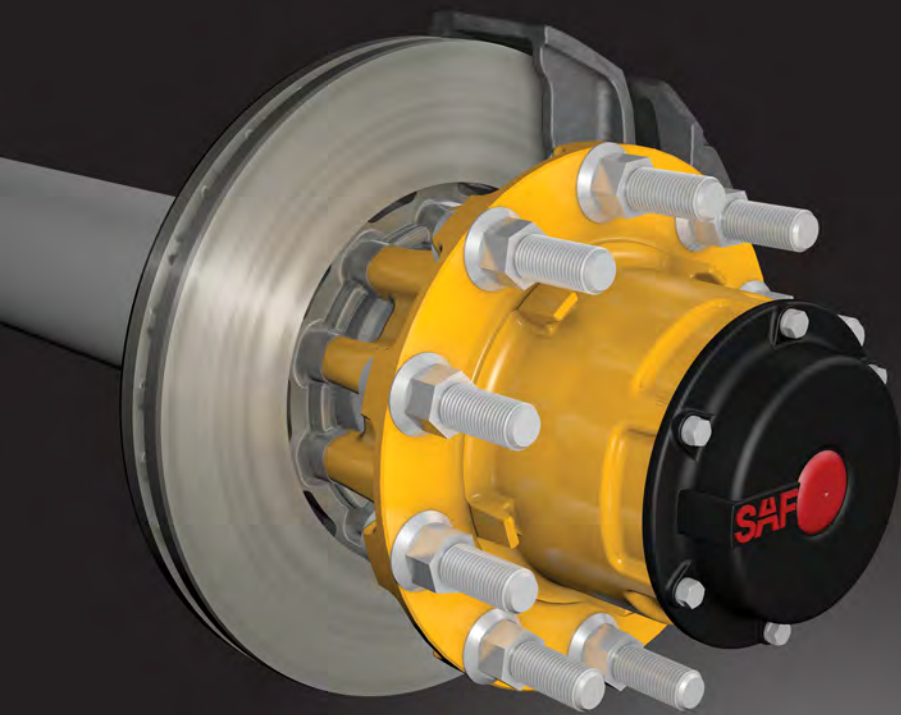
**For More Information Contact Your Nearest
Factory Direct Location or Dealer**

TIMPTE

Since 1884

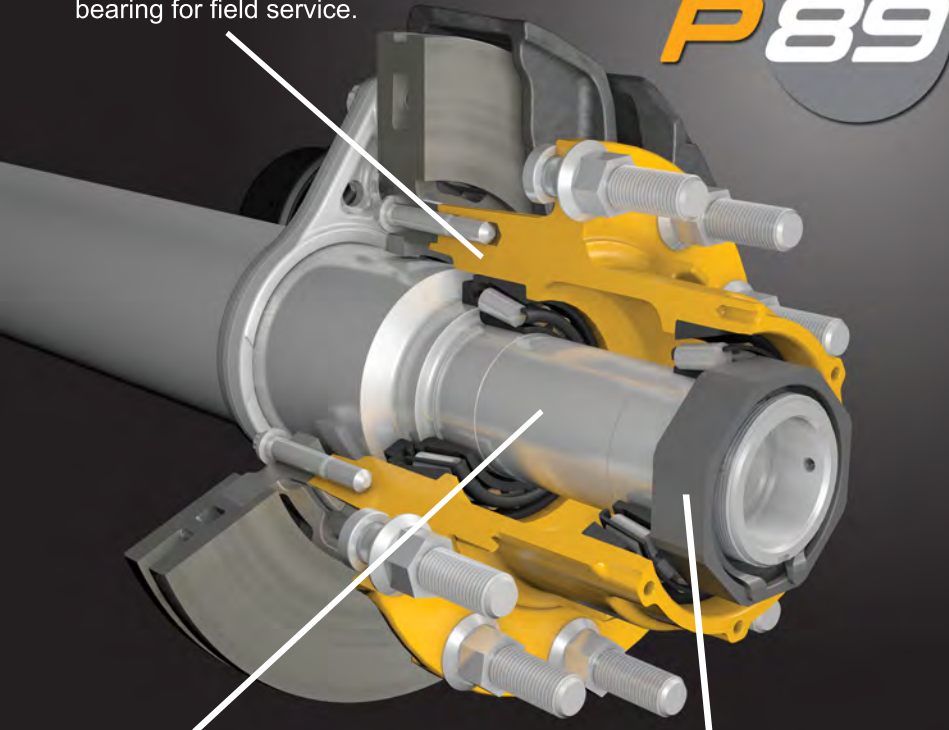
www.TIMPTE.com

INTEGRAL AIR DISC BRAKE SYSTEM



PARALLEL SPINDLE HUB DESIGN

incorporates the INTEGRAL bi-metallic rotor design and accepts industry standard bearing for field service.



INDUSTRY STANDARD ROBUST PARALLEL SPINDLE

with wide spaced bearing design for optimum performance with offset wheel configurations.

INDUSTRY STANDARD PREMIUM STYLE SPINDLE NUT

provides precise bearing adjustment.

BENEFITS

- Designed for your application
- Shorter stopping distance
- Improved reliability
- Low cost of ownership
- Automatic brake adjustment
- High quality brake pads for longer service life
- Bolt-on hub cap and comes standard with high performance semi-fluid grease
- Accommodates up to 2" offset wheel rims for multiple wheel end configurations
- Rotor is designed with a series of ventilation channels to dissipate heat
- Robust parallel spindle design with capacities up to 25,000 lbs.



See Warranty Card for Details



Since 1884