



How do I lubricate the landing gear legs?

2012 models:

Your landing gear was adequately greased and packed with high quality lubricants (rated for use between -65°F and 225°F) when manufactured and will not require additional lubrication for the first five (5) year period of service and operation. Following the initial five year period, it will be necessary to periodically supplement this lubrication to maintain satisfactory performance for your particular application. Re-lubrication should be part of your preventative maintenance program and should be done at least once a month.

Pre-2012 models:

Re-lubrication should be part of your preventative maintenance program and should be done at least once a month.

For **low temperature operations** (under 20° F) use a lithium or an anhydrous calcium extreme pressure grease that operates down to -65°F.

For **cold weather operations**, it is also recommended to fill the gearbox approximately 3/4 full with grease. This helps minimize moisture accumulation, which can freeze, causing hard gear cranking.

For moderate temperature operations (20° F to 150° F) use a lithium or an anhydrous calcium extreme pressure grease.

Lubrications Instructions on page 2

See Your Local Timpte Branch For All Your Parts And Service Needs!

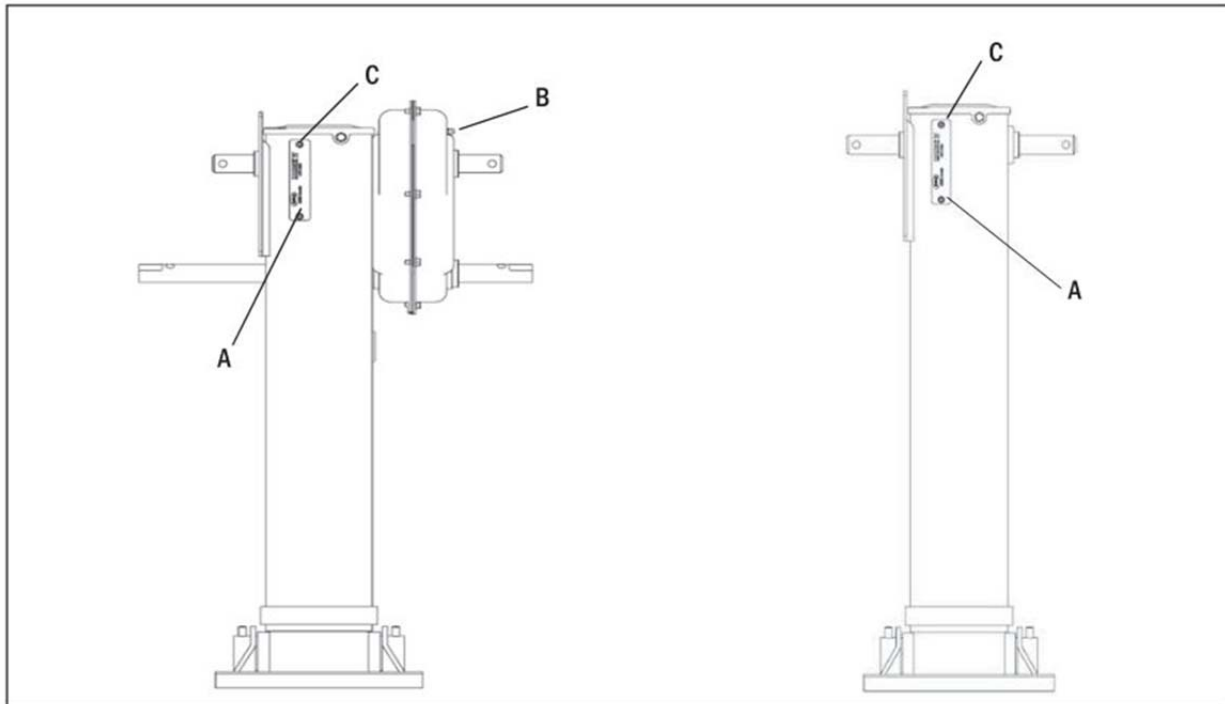
© 2011 Timpte Inc.

www.timpte.com



Lubricate as follows:

1. Fully retract the landing gear, then using high gear, lower the leg 2-3 turns and lubricate the lift-screw assembly through grease fitting "A" (see landing gear legs shown below). Apply ½ lb. of grease.
2. Lubricate the gearbox, using grease fitting "B". Apply ¼ lb. of grease.
3. Lubricate the bevel gear using grease fitting "C". Apply ¼ lb. of grease.
4. Distribute the lubrication by fully extending and retracting the leg several times.



See Your Local Timpte Branch For All Your Parts And Service Needs!

© 2011 Timpte Inc.

www.timpte.com